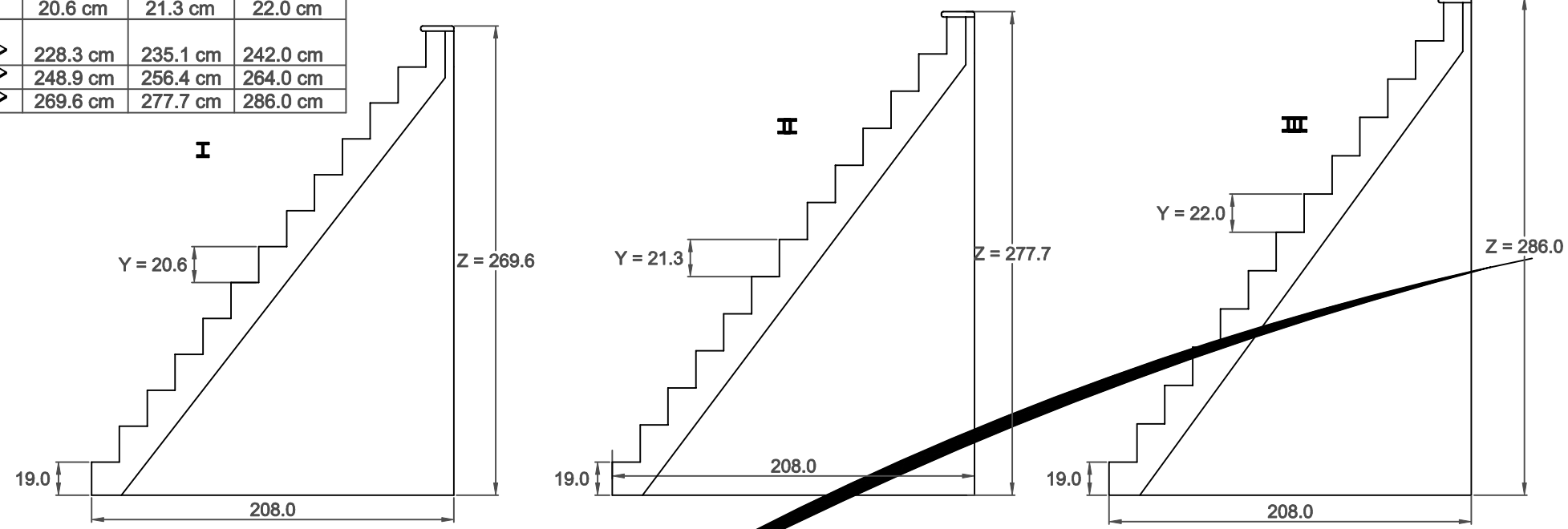
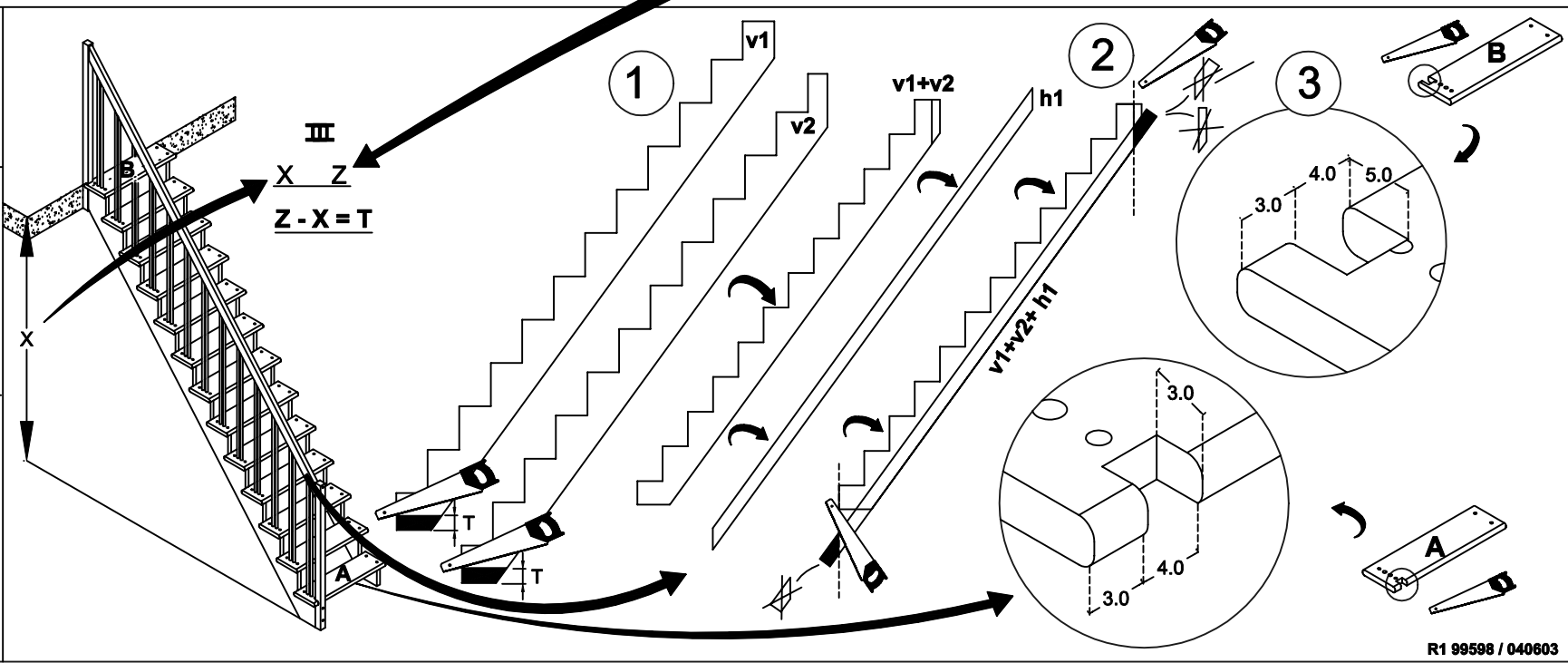


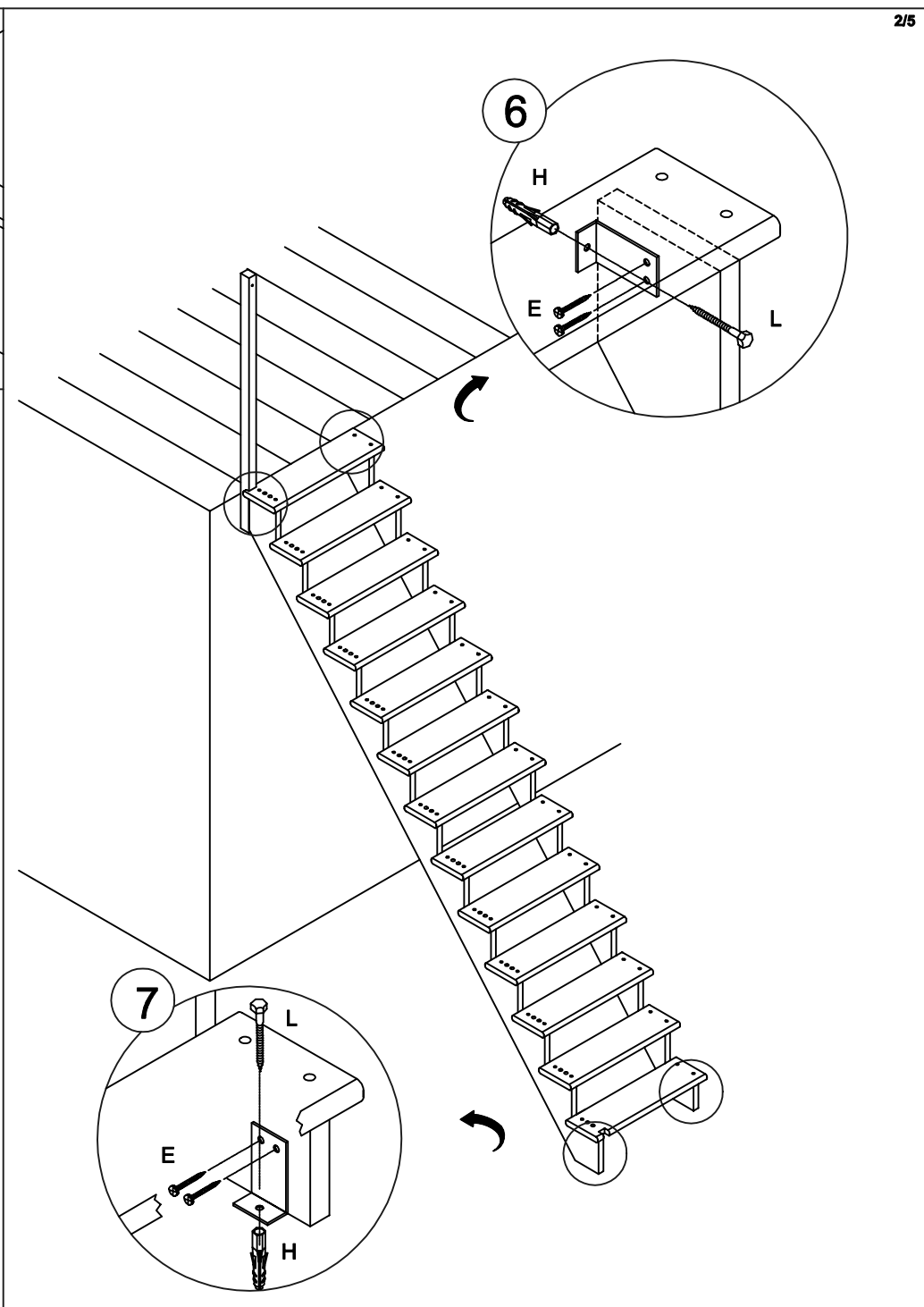
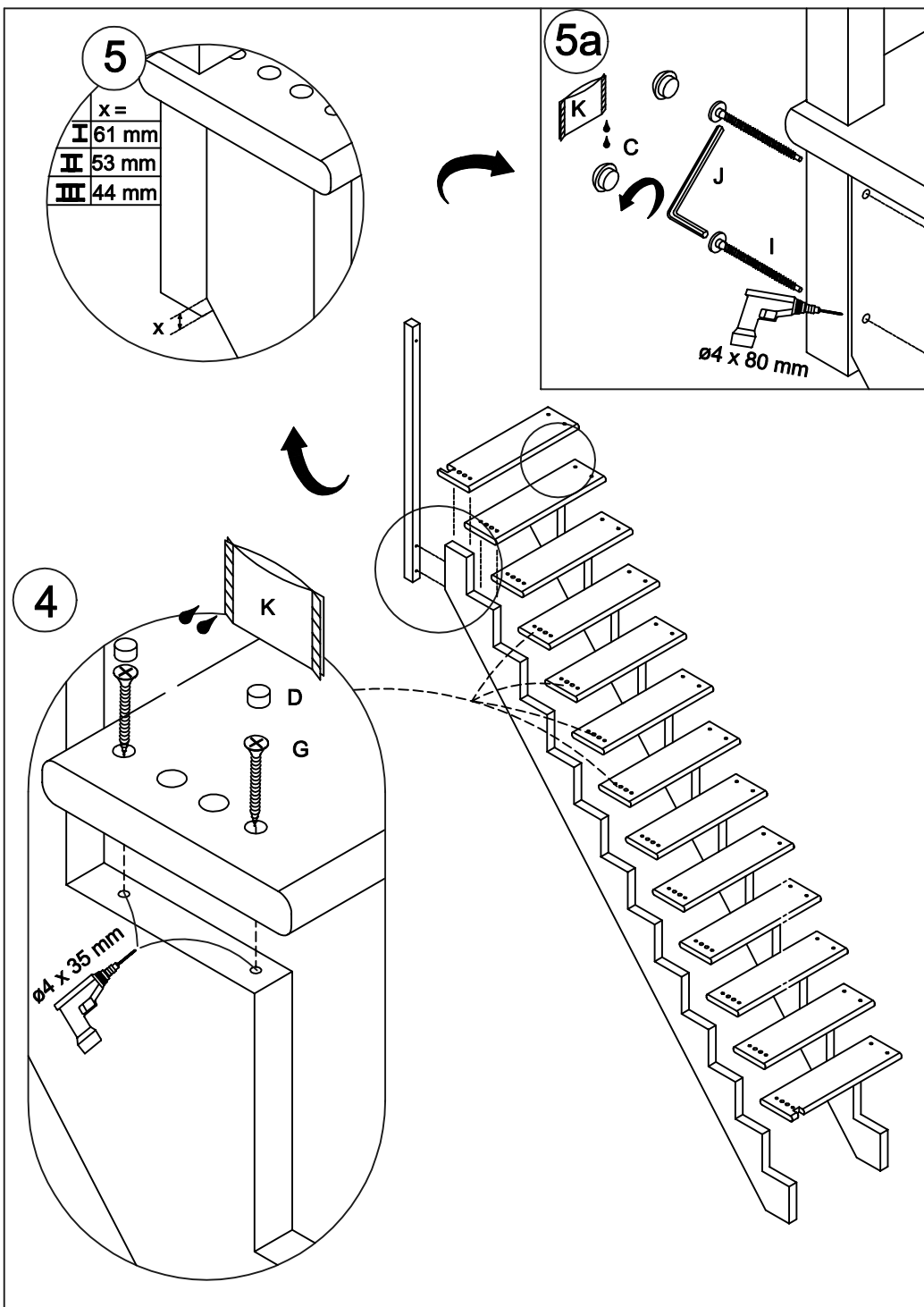
MODEL LONDON.

	I	II	III
Y	20.6 cm	21.3 cm	22.0 cm
11	228.3 cm	235.1 cm	242.0 cm
12	248.9 cm	256.4 cm	264.0 cm
13	269.6 cm	277.7 cm	286.0 cm

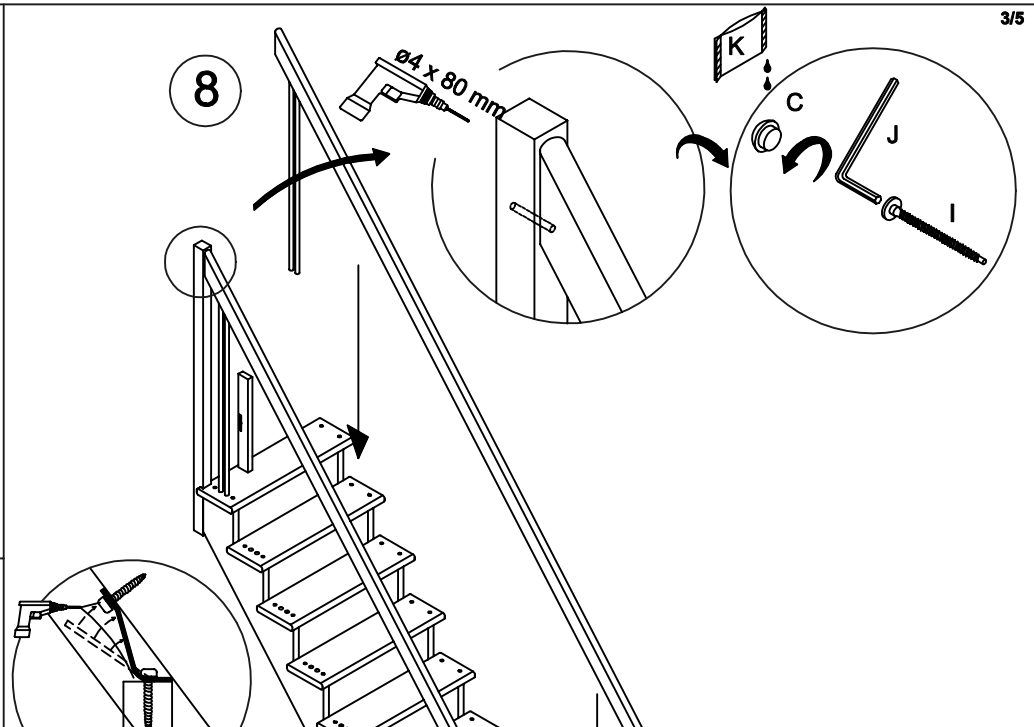
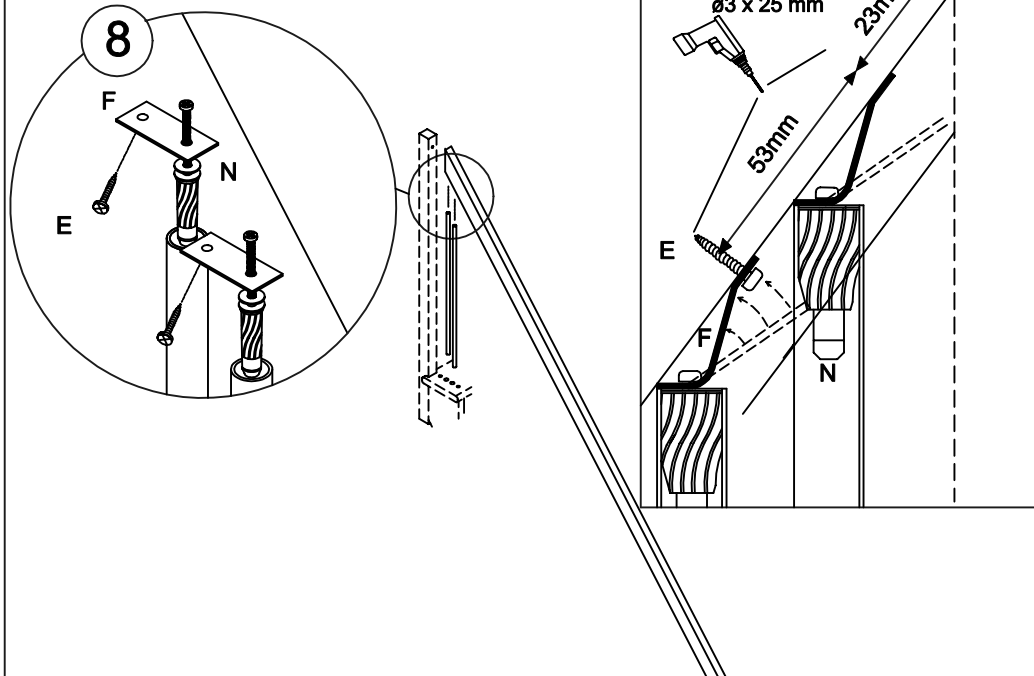


- C x6
- D x52
- E x61
- F x26
- G x52
- H x4
- I x6
- J x1
- K x2
- L x4
- M x4
- N x26

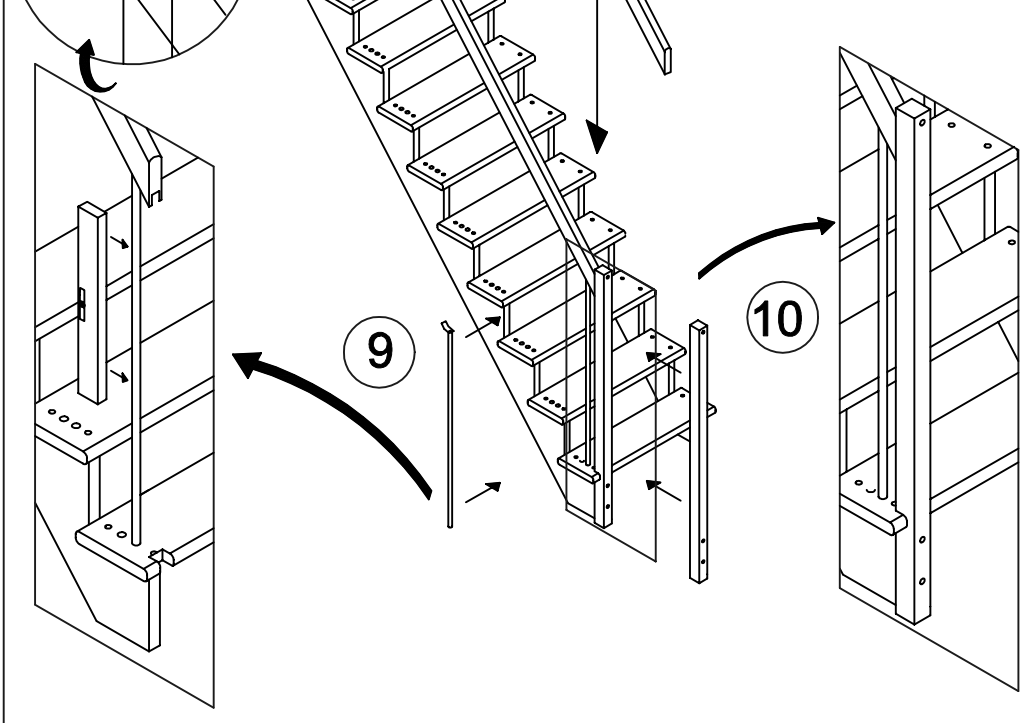
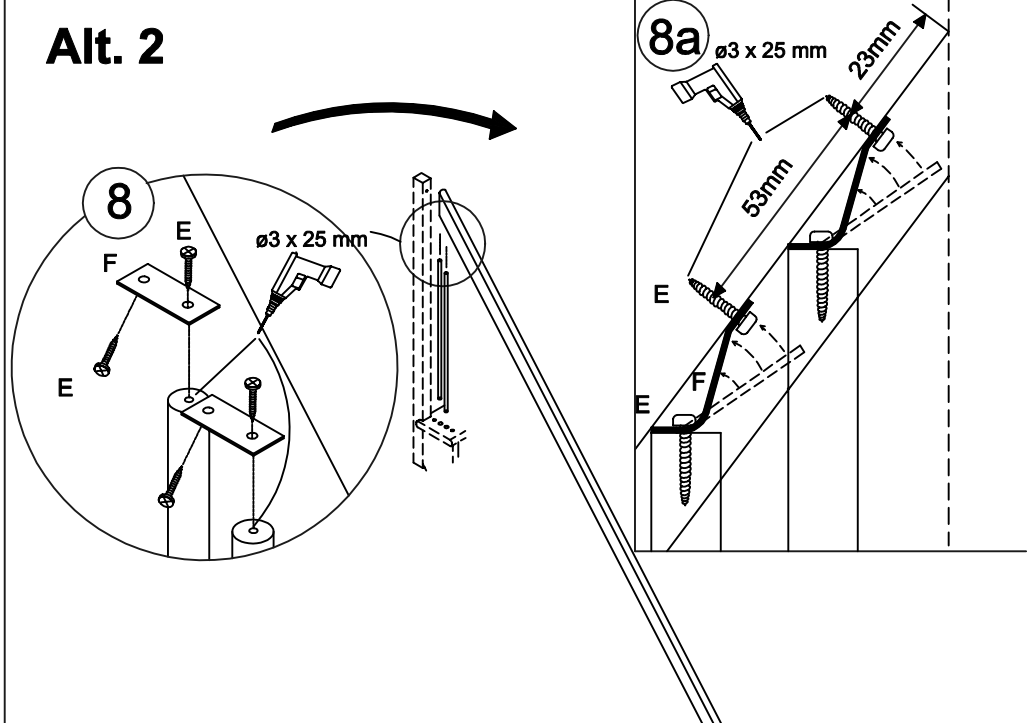




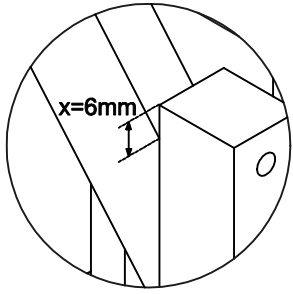
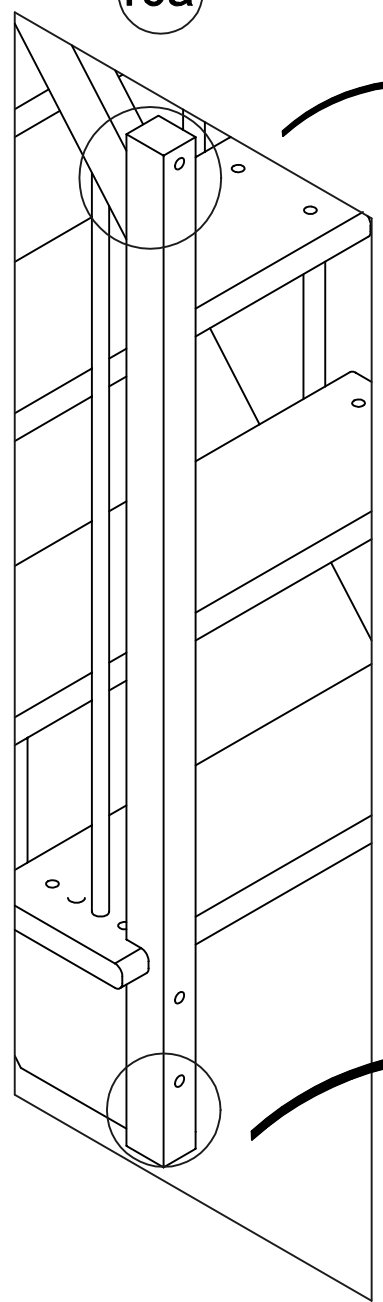
### Alt. 1



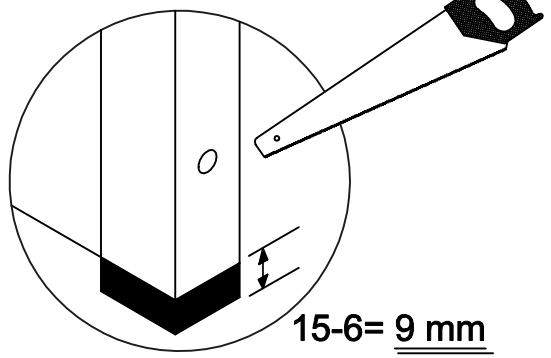
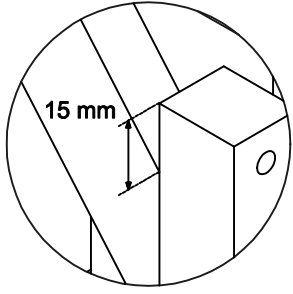
### Alt. 2



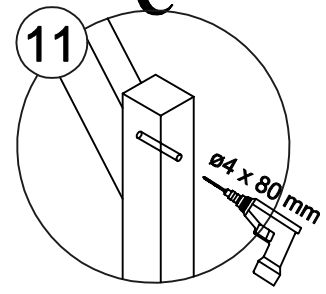
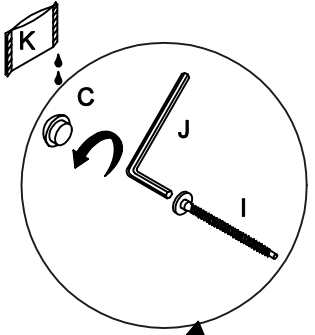
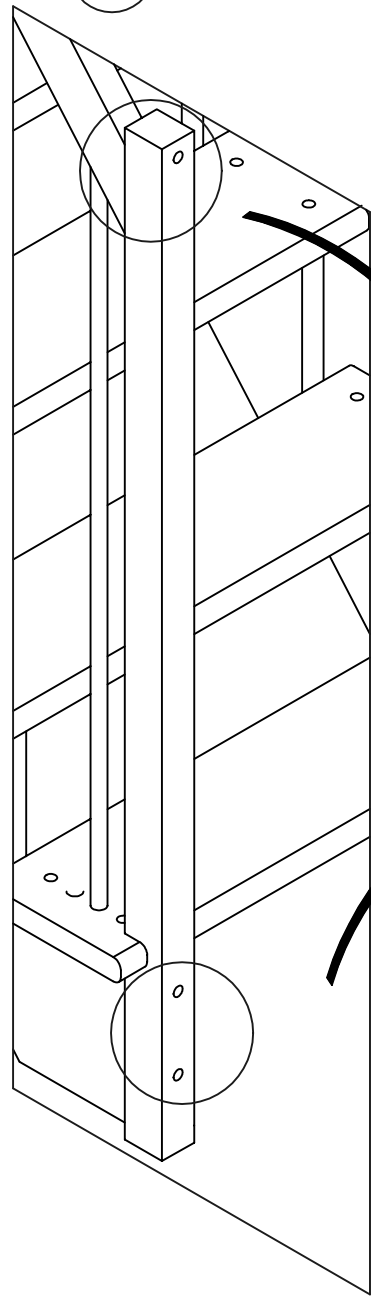
10a



Beispiel. :

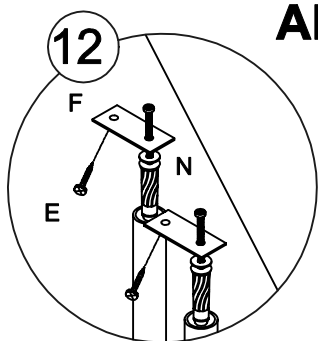
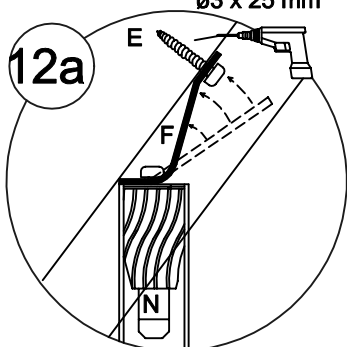
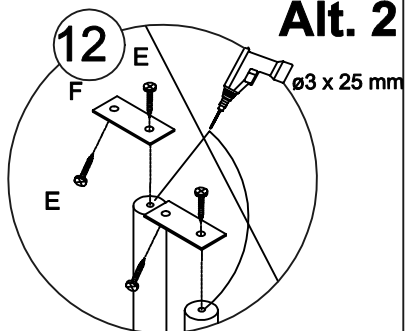
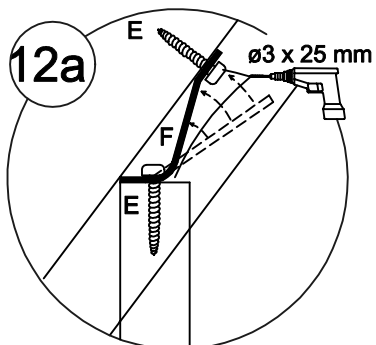


11



11

ø4 x 80 mm

**Alt. 1** $\varnothing 3 \times 25 \text{ mm}$ **Alt. 2** $\varnothing 3 \times 25 \text{ mm}$  $\varnothing 3 \times 25 \text{ mm}$ 